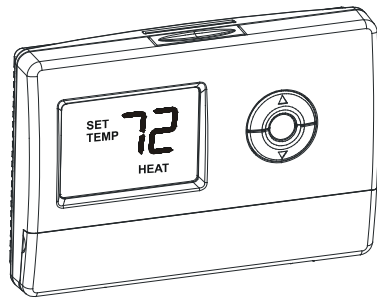


Digital Thermostat

Owners Manual

Model:CT76



Your new thermostat will provide years of reliable service. Using this digital thermostat will provide more uniform comfort in your home through the seasons. Thank you for buying the product!

Please read this manual for complete instructions on installing and operating your thermostat. If you require further assistance, please feel free to contact us.

IMPORTANT INFORMATION

1. This thermostat is designed to work on the following systems:

- Gas – Standing Pilot
- Oil – Fired Furnace
- Gas – Electronic Ignition
- Single Stage Heat Pumps – with no auxiliary heat
- Gas – Fired Boilers
- Electric Furnace
- Gas – Milivolt Systems
- Electric Air Conditioning
- Oil – Fired Boilers
- Electric Air Conditioning

This thermostat will NOT control multistage heat pumps or 110/220V baseboard electric heating systems.

2. Temperature Range

This thermostat can be set between 45°F and 95°F. However, it will display room temperatures from 30°F to 99°F. "HI" will be displayed if the temperature is higher than 99°F, and "LO" will be displayed if the temperature is lower than 30°F.

This thermostat will automatically cutoff in Heat mode if the temperature rises above 76°F, and automatically cutoff in Cool mode if the temperature drops below 76°F.

3. Compressor Protection

This thermostat provides a 4 minute delay after shutting off the compressor before it can be restarted. This feature will prevent damage to your compressor caused by rapid cycling. It does not prevent a rapid compressor restart due to short power outages.

4. Battery Warning

Two fresh AA alkaline batteries should provide well about one year of service. However, when the batteries become drained the Low Battery Indicator will flash on the display. When this message occurs, install new alkaline batteries. You have approximately 1 minute to change the batteries and keep the thermostat's settings. Once the batteries have become too low to ensure proper operation, your system will be turned off, and the display will be cleared except for flashing Low Battery Indicator on the LCD display.

CAUTION: When only the battery icon flashes on the display, the thermostat is shut down, and your system will no longer operate. In this condition, there is no temperature control of your dwelling.

NOTE: The backlight will not function when the thermostat is in low battery condition.

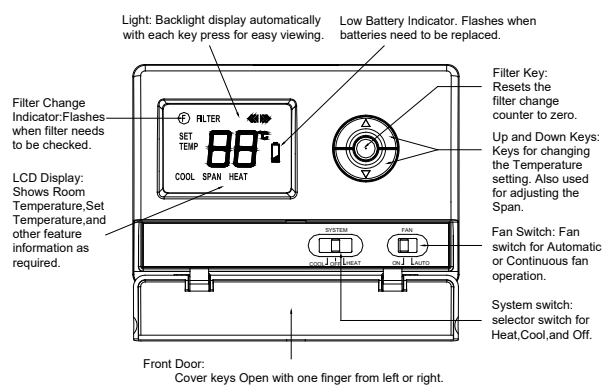
NOTE: If you plan to be away from the premises over 30 days, we recommend that you replace the old batteries with new alkaline batteries prior to leaving.

5. Power supply

The thermostat shall be powered by 24 VAC and with batteries as backup.

FEATURES

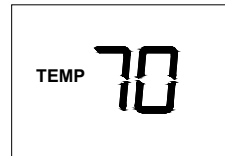
Structure of thermostat and explanation for the keypads



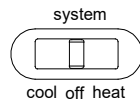
OPERATION

Start-up

The LCD will show the factory default display of 70°F when batteries are first installed. The temperature will update after a few seconds.



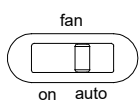
System Selector Switch



The System Selector switch on the front of the thermostat determines the operating mode of the thermostat. You may select COOL, OFF, HEAT.

NOTE: Anytime you install or remove the thermostat from the wallplate, slide the System Selector to the OFF position to prevent the possibility of a rapid system On – OFF.

Fan Switch



The Fan switch should normally be located in the AUTO position. The Fan will be turned on along with normal operation of your system. In a normal gas or oil furnace, the Fan will be turned on by your furnace after its warm-up delay. For electric heat, air conditioning, and heat pump operation, the Fan will turn on with the system.

To run the Fan on continuously, slide the Fan switch to the ON position.

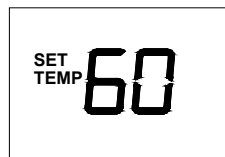
Review Current Set Temperature

- Press either the up or down key once to see the Set Temperature.

The factory default is 72°F when started with the System Switch Off or Heat, and 78°F when started with the System Switch on Cool.

Setting New Temperature

- Press either the up or down once and display the set temperature.

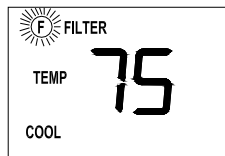


- Press either up or down again to change to your desired Set Temperature. Hold the key down for over 2 seconds to fast advance the Set Temperature.

The display will return to the normal room temperature after the keys have been released for 5 seconds.

Filter Monitor

The thermostat counts the number of hours your system's filter has been in use. To maximize your system's performance and energy efficiency, change or clean your filter regularly. When the total system run time for heat and cool reaches 400 hours, the Filter Change Indicator will flash as a reminder to check your system's filter.



After changing or cleaning the system filter, press and hold the Filter key for 3 seconds. The display will blink, and the counter will be reset to zero.

Note: Pressing the Filter key at any time for less than 3 seconds will cause the Filter Change Indicator to appear on the LCD. This is only to confirm key operation, and the counter is not affected unless the key is held for greater than 3 seconds.

SPAN Setting

Your thermostat is set at the factory to cycle at 2°F above and below the set temperature. (Span = 2) This setting has been designed to provide a comfortable room temperature under most all conditions. However, if you find your system cycling too fast or too slow, then the Span can be adjusted to modify the cycle time.



- Press and hold BOTH up and down keys for three seconds. SPAN will be displayed on the LCD.
- Press up to raise the Span to 3. This setting INCREASES to cycle time by allowing your system to run LONGER.
- Press down to lower the Span to 1. This setting DECREASES the cycle time by causing your system to run SHORTER.

The Span settings remain the same for both HEAT and COOL, and can be changed in any System Switch position.

When batteries are installed in the thermostat, the Span is reset back to setting 2.

Backlighting

Your thermostat has an electroluminescent lamp that backlights the display for easy viewing in the dark.

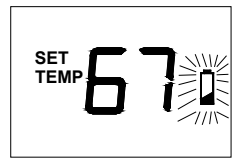
When any key is pressed, the display is illuminated.

The display will remain illuminated for 7 seconds after the last key is pressed. This allows the light to stay on if you need to operate several keys.

Note: If the thermostat is in Low Battery warning condition, the backlight will not operate. Replace with 2 new AA alkaline batteries to restore the Backlight function.

Low Battery Warning

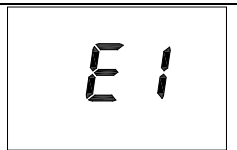
Your thermostat has a two-stage low battery warning system. When the batteries are first detected to be weak, the first stage low battery warning is indicated by battery symbol flashing on the LCD display. At your earliest convenience, you need to replace the batteries with 2 new AA alkaline batteries. When the batteries become too weak for normal operation, the thermostat enters the second stage low battery warning which shuts down the thermostat. In this condition, battery symbol flashes alone on the display, and the thermostat will turn your system off. Your system will remain shut-off until the batteries are replaced.



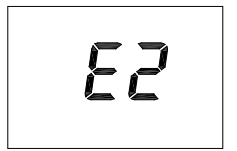
Note: The thermostat will still keep the current Set Temperature and Filter run time in memory until new batteries are installed. After confirming that new batteries have been inserted, the thermostat will return to normal operating.

Error Mode

If the thermostat is unable to control your system due to an unexpected battery problem, the thermostat will enter Error Mode. In this condition, the thermostat flashes "E1" or "E2" on the LCD display, and shuts off your system.



To correct this problem, replace the batteries with 2 new AA alkaline batteries, even if you have recently replaced them. Next, Move the battery out hold any key then place the battery again. You will need to reprogram your thermostat and confirm normal operation. If Error Mode returns, please call us for further information.



Lcd display	information	Lcd display	information
E1	Sensor Error	E2	System switch Error

Auto Cut Off

Your thermostat will automatically cutoff in Heat mode if the room temperature rises above 76°F. It will cutoff in Cool mode if the room temperature drops below 76°F.

Note that if your system has malfunctioned and no longer responds to thermostat controls, the Auto Cut-Off will have no effect.

INSTALLATION

What You Need

This thermostat includes two #8 slotted screws and two wall anchors for mounting. To install your thermostat, you should have the following tools and materials.

- Slotted Screwdriver(s)
- Small Philips screwdriver
- Hammer
- Electric drill and 3/16" bit
- Two 1.5V (AA) size alkaline batteries (included)

Remove Old Thermostat

CAUTION: Do not remove any wiring from existing thermostat before reading the instructions carefully. Wires must be labeled prior to removal.

IMPORTANT! Turn off the power to the furnace at the main power panel or at the furnace.

Remove existing thermostat cover and thermostat. Some thermostats will have screws or other locking devices that must first be removed. Once the wall mounting plate is exposed, look for wires. If wires are not visible, they may be connected to the back of the wallplate. Again, look for screws, tabs, etc. Some models have doors that open to expose wires and mounting screws. See Figure 1.

Typical Home Thermostats

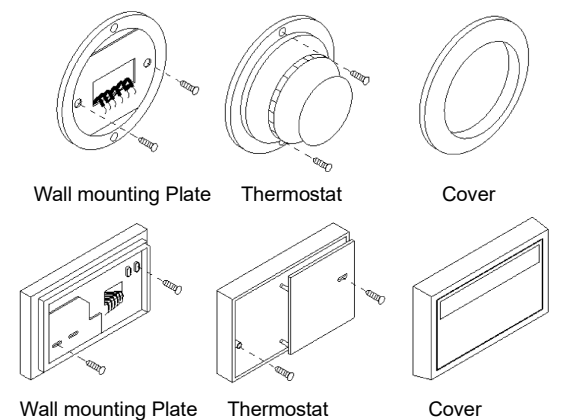


Figure 1

Wiring Labeling

- Each wire coming from the wall to the existing thermostat is connected to a terminal point on that thermostat. Each of these terminal points is usually marked with a code letter as shown in Table A below.
- Note that this thermostat has multiple function terminals that allow Single-Stage Heat Pump capability. Standard systems use: Rh, Rc, G, Y, W. [Single-Stage Heat Pumps use: R, Y, G, and O or B.] Table A below shows the multiple functions of the terminals. Use the terminals that match your

system.

- The number of wires in your system can be as few as two (for heat only systems), as many as eight, or any number in between. If you follow the labeling procedures correctly, you do not have to be concerned about how many wires there are.
- There is often no terminal marking on the existing thermostat of two wire, heat only systems. Just connect either of the wires to the RH terminal, then connect the other wire to the W terminal to complete the circuit.
- IMPORTANT! BEFORE DISCONNECTING ANY WIRES, APPLY THE SELFADHESIVE LABELS PROVIDED TO THE WIRE AS SHOWN IN TABLE A BELOW. (For example, attach the label marked W to the wire that goes to the W or H terminal on your existing thermostat.) IGNORE THE COLOR OF THE WIRES since these do not always comply with the standard.
- After labeling wires, disconnect them from the existing thermostat.
- Remove existing wallplate. To make sure wires do not fall back into wall opening, you may want to tape them to the wall.
- If hole in wall is larger than necessary for wires, seal this hole with insulating material so that no hot or cold air can enter the back of the thermostat from the wall. This air could cause a false thermostat reading.

Table A
If the code letter on your existing Thermostat is then mark the wire with label shown and connect to thermostat terminal shown

AC24V L		
AC24V N		
Rh/Rc or 4 24 Volt - or - B Reversing Valve operating in Heat mode. (Single Stage Heat Pumps ONLY.)		
Rc/O 24 Volt Cool - or - O Reversing Valve operating in Cool mode. (Single Stage Heat Pumps ONLY.)		
G or F Fan		
Y, Y1, C or M AC Compressor + or - Single Stage Heat Pump Compressor		
W or H Heating		
R 24 Volt (Single Stage Heat Pumps ONLY.)		

NOTE: Do not connect a "Common" wire (sometimes labeled "C") to any terminal on this thermostat. Tape up the wire and do not use. This wire provides electricity to non-battery powered thermostats.

Mount wallplate and Thermostat

- Remove the wallplate from your thermostat. See Figure 2.

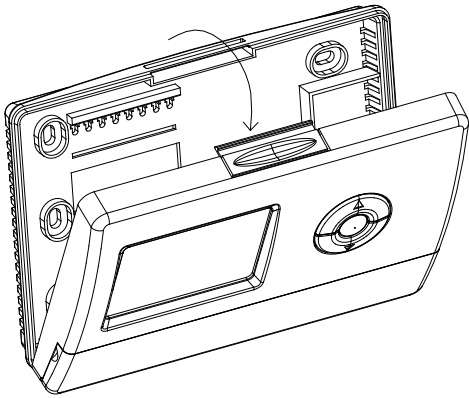


Figure 2

- Position wallplate on wall and pull existing wires through large opening. Then level for appearance. Mark holes for plastic anchors provided, if your existing holes do not line up with those on the wallplate.
- Drill holes with 3/16" bit and gently tap anchors into the holes until flush with wall.
- Reposition wallplate to wall, pulling wires through large opening. Insert mounting screws provided into wall anchor and tighten. See Figure 3.

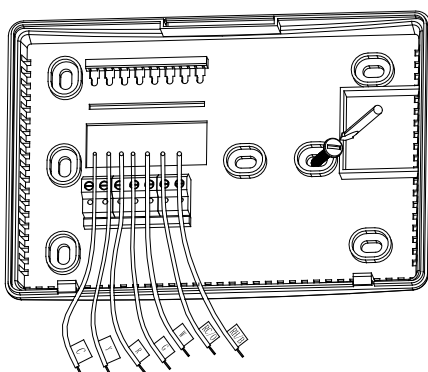


Figure 3

NOTE: 5-Wire Systems

If your thermostat has one wire marked R or Rh (2, 3, or 4-wire system),

then leave the jumper wire between the Rh and Rc terminals on the wallplate. Otherwise, if you have separate Rh and Rc wires (5-wire system), then remove the jumper wire between the Rh and Rc terminals.

Connect Wires and Mount Thermostat to wallplate

- Match and connect the labeled wires to the appropriate coded terminal screws on the wallplate. (See Figure 4, 5.) Ignore any wires which may be present, but which were not connected to the old thermostat.

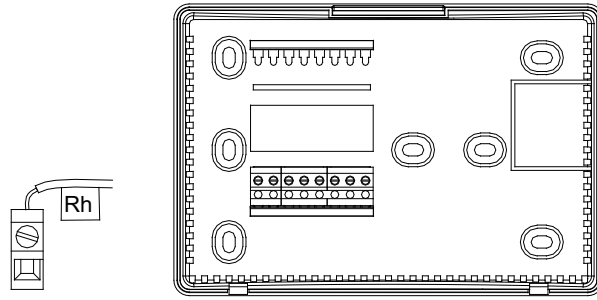
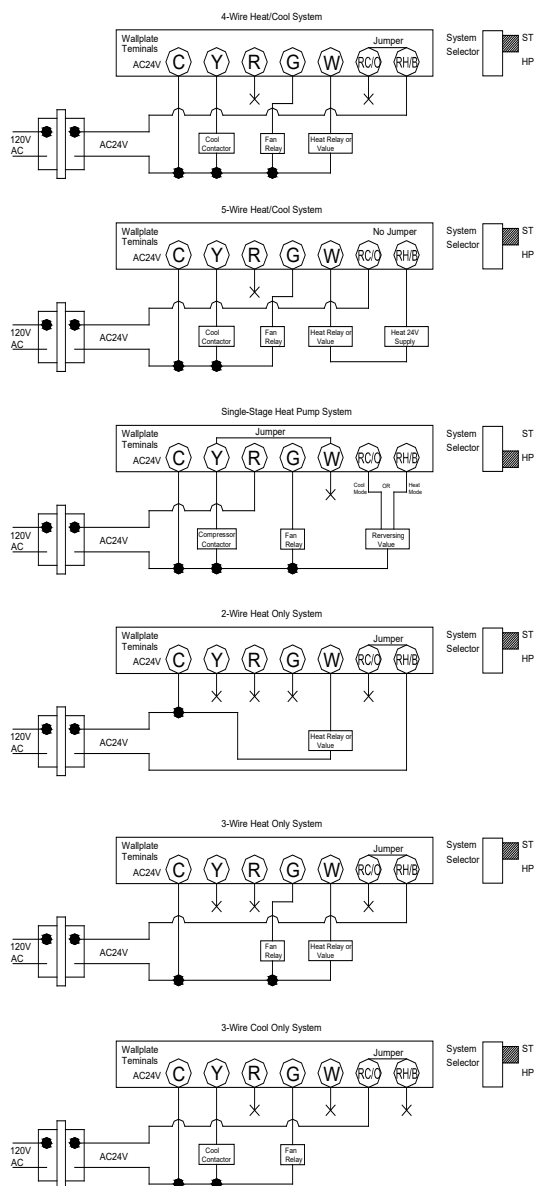


Figure 4

Figure 5

- Refer to the Wiring Diagrams below to be sure your system is wired correctly.
- If your system is a single stage heat pump and uses an O or B wire, you must move the System Selector switch inside the thermostat to the Heat Pump position. If you have a normal furnace or electric system, leave the switch in the Standard position. Refer to the System Selector section on the back for more information on this switch.
- Be sure to tighten the terminal screws securely, otherwise a loose wire could cause operational problems with your system or thermostat.
- Push excess wire back into the hole to prevent interference when installing the thermostat to the wallplate.
- Make sure the System Switch is set to OFF, and the Fan Switch is set to AUTO.
- Insert the tabs on top of the thermostat body into the slots at the top of the wallplate. Press the bottom of the thermostat body into the snap on the bottom of the wallplate. Refer to Figure 2. (NOTE: Do not force the thermostat onto the wallplate, as the terminal pins may be damaged. If it does not snap properly, the thermostat may not work.)
- Insert the two AA size alkaline batteries, observing the polarity marked inside the battery compartment.
- Switch on the main power at the panel or furnace.

Wiring Diagrams



X-No Connection

Selector Switches

In order for this thermostat to control your system, the system type must be specified by the selector switches on the printed circuit board inside the thermostat. There is also a selector switch for your choice of Fahrenheit or Celsius temperature display. See figure 6.

- Heating System Selector (HG – HE switch)

The factory position for this switch is in the "HG" position. Leave it in this position if you have a gas furnace or an oil burner. If you have an electric furnace, test to see whether the Heat and Fan come on as expected after installation. If the Fan operation is normal, leave it in the "HG" position. If the Fan does not come on within a minute of the thermostat calling for heating, change the switch position to "HE". The system selector has no effect in the cooling mode.

NOTE: "HG" position is for gas and most other systems. "HE" position is for certain electric systems having a fan relay.

- System Selector (STANDARD – HEAT PUMP switch)

The factory position for this switch is in the STD position. Leave it in this position if you have ANY system that uses gas, oil, electric, or hot water heating. If you have a single-stage Heat Pump (no auxiliary or emergency heat source), then slide the switch to the HP position. Be sure the reversing valve wire is connected to the correct terminal for your heat pump (Rc/O) or (Rh/B).

- °F / °C selector (Fahrenheit / Celsius)

Your thermostat is set for °F mode from the factory. In order to change to °C mode, slide the switch to °C and hold any key about 2 seconds without the battery, then place the battery again.

NOTE: Unless press any key about 2 seconds without the battery, then place the battery again.

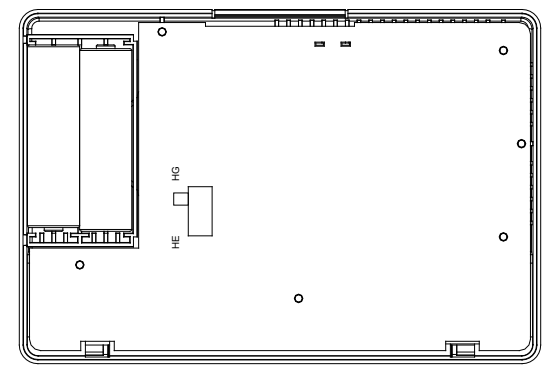


Figure 6

TROUBLESHOOTING

Problem	Solution
No Display	1. Check battery connections and batteries. 2. Move the battery out and wait for about 1 minutes then Replace Batteries..
Entire Display Dims.	1. Replace Batteries.
Auto Fan Does Not Turn On Properly.	1. Move HG/HE selector to correct position.
Heating or Cooling Does Not Go On or Off.	1. Check that the function switch is in the correct position ("HEAT" or "COOL"). 2. There may be as much as 4-minute delay before the system turns On – wait and check. (Compressor protection delay.) 3. Check your circuit breakers and switches to ensure there is power to the system. 4. Replace batteries. 5. Make sure your furnace blower door is closed properly. 6. If your non-heat pump system only uses 4-wires, be sure the jumper wire is installed between the Rh/B and Rc/O terminals. 7. Check the position of the Reversing Valve selector switch: Standard or Heat Pump. 8. If you have single-stage heat pump, be sure the jumper wire is installed between the Y and W terminals.
Erratic Display	1. Move the battery out hold any key then place the battery again. Then reprogram.
If unit continues to operate in the Off position.	1. Replace unit.
Thermostat permanently reads "HI", "LO", or "E1", "E2".	1. Replace unit.